

A

FEED AND BIOFUEL

SINGLE DRIVE FEEDER CONDITIONER

TYPE 18X72

The ANDRITZ Feed & Biofuel Single Drive Feeder Conditioner is a device developed through years of actual field experience. It is built to provide you with many years of trouble-free operation.

The Feeder Conditioner is an effective device intended to ensure a uniform flow of feed stock to a pellet mill.

It also provides the means to mix-in additives and/or precondition the feed stock with liquids or steam.

The Single Drive Feeder Conditioner is, as its name implies, driven by one motor. The feeder section and the conditioning section both operate at the same speed because each section uses one common shaft.

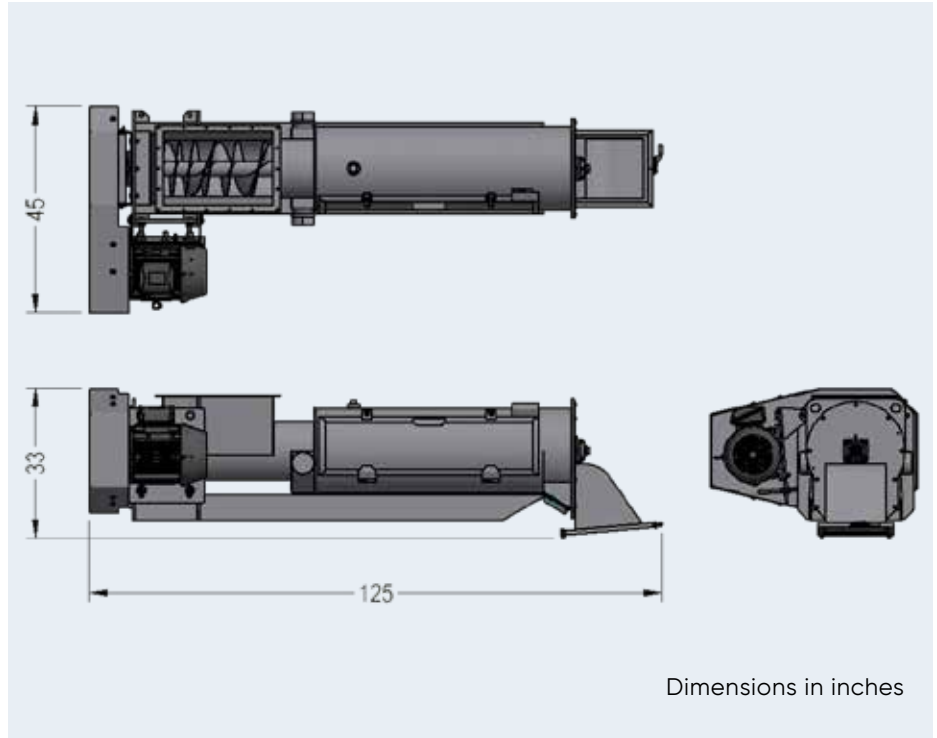
Feeder Conditioners designs vary by application. The basic unit will always include a feed screw section, steam introduction section, a conditioning section, and a spout magnet in the discharge.

ANDRITZ

ENGINEERED SUCCESS

FEATURES:

- All Stainless Steel where in contact with the product
- Magnet for tramp metal at conditioner discharge
- Dial Thermometer at the discharge to enable uniform temperature
- Connections for Liquid Addition
- Adjustable Paddles to balance agitation
- Quick-open Clean-out doors simplify cleaning
- Single drive conditioners have the feeder screw and agitator mounted on a common shaft.
- Age old proven design
- Right hand or left hand drive
- Driven by 10 HP, 1200 RPM motor



Dimensions in inches

TECHNICAL DATA

Model	Length	Width	Height	Weight (without motor)
18x72	125	45	33	1400 lb

ANDRITZ Feed and Biofuel A/S
 andritz-fb.dk@andritz.com
 p: +45 72 160 300 / andritz.com/ft

ANDRITZ Feed and Biofuel USA
 andritz-fb.us@andritz.com
 p: +1 570 546 1253



All data, information, statements, photographs and graphic illustrations in this leaflet are without any obligation and raise no liabilities to or form part of any sales contracts of ANDRITZ AG or any affiliates for equipment and/or systems referred to herein. © ANDRITZ AG 2021. All rights reserved. No part of this copyrighted work may be reproduced, modified or distributed in any form or by any means, or stored in any database or retrieval system, without the prior written permission of ANDRITZ AG or its affiliates. Due to legal requirements, we must inform you that ANDRITZ AG processes your data for the purposes informing you about the ANDRITZ GROUP and its activities. Find out more details about our data privacy declaration and your rights under the data protection legislation on our website: andritz.com/privacy. ANDRITZ AG, Stattegger Strasse 18, 8045 Graz, Austria.



1 0221